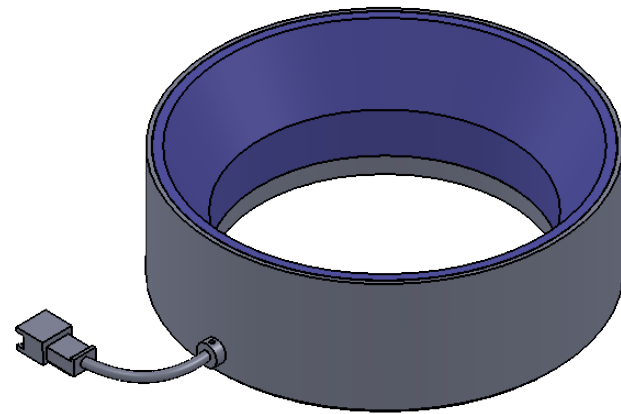
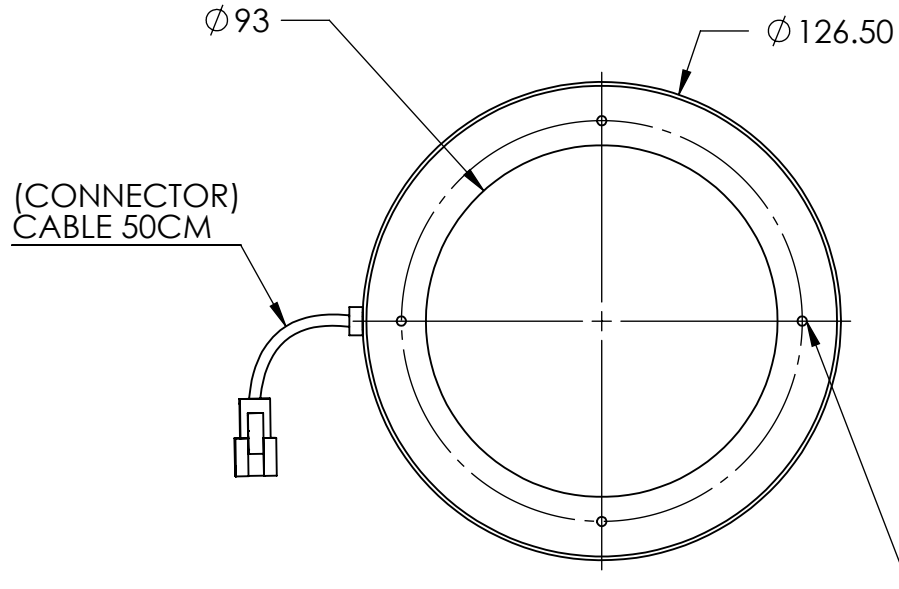


1 2 3 4 5 6 7 8

D

D



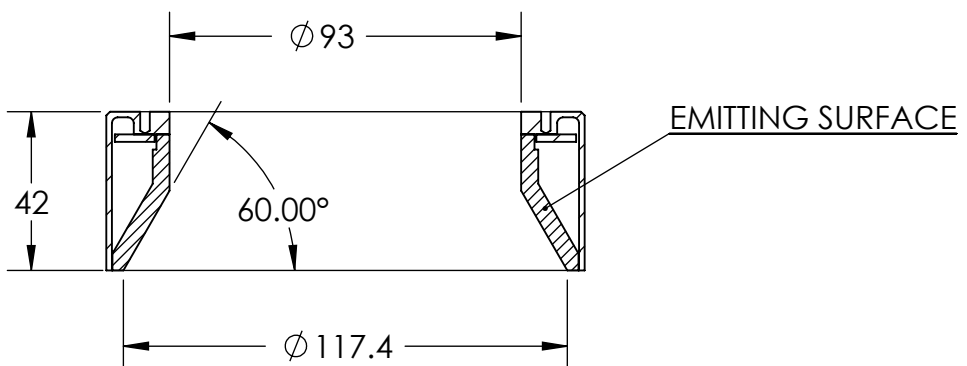
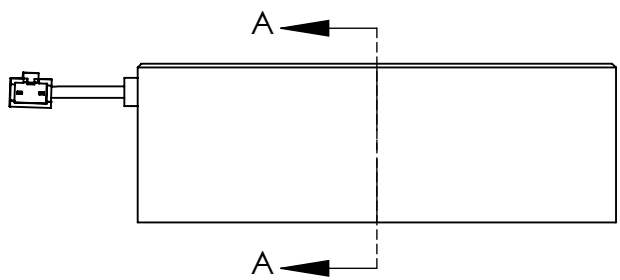
4 - TAP M3  $\nabla$  5 N.S AT  $\phi$  106 PCD

C

C

B

B



A

A



DESIGN BY	FL LUEI
CHECK BY	KB TAN
DATE	06/06/2018
MATERIAL	-
FINISHING	-
QTY	-

UNIT:	MM
REVISION:	01
SCALE:	1:1

PRODUCT SERIES: LT2RZF SERIES	
TITLE	DRAWING LAYOUT
PART NO	LT2RZF120-60-2-R-24V
DWG NO	-
SHEET 1 OF 1	

1 2 3 4 5 6 7 8